

ESSENTIAL CHARACTERISTICS

Duration of operation	Pass
Provision for external conductors	Pass
Flammability of materials	Pass
Enclosure protection	Pass
Access	Pass
Manufacturer's adjustments	Pass
On-site adjustment of behaviour	Pass
Requirements for software controlled devices	Pass
Coverage volume	Pass
Variation of light output	Pass
Minimum and maximum light intensity	Pass
Light colour	White/Red
Light temporal pattern / frequency of flashing	Pass / 1,5 Hz
Marking and data	Pass
Synchronization	Pass
Temperature resistance	Pass
Humidity resistance	Pass
Shock and vibration resistance	Pass
Corrosion resistance	Pass
Electrical stability	Pass


 1328-CPR-0422

Dispositivo luminoso di allarme incendio (Tipo B) conforme EN 54-23:2010
Fire Alarm visual device (Type B), conform to EN 54-23:2010
Avertisseur lumineux pour Alarme Incendie (Type B), conformément à EN 54-23:2010
Feueralarm optische Gerät (Typ B), EN 54-23:2010 entsprechenden
Dispositivo luminoso de Alarma de Incendio (Tipo B), conforme con EN 54-23:2010

L'INSTALLAZIONE DEVE ESSERE EFFETTUATA SOLO DA PERSONALE SPECIALIZZATO - INSTALLATION HAS TO BE DONE BY QUALIFIED PERSONNEL.
 L'INSTALLATION DOIT ÊTRE EFFECTUÉE PAR PERSONNEL QUALIFIÉ - INSTALLATION IST VON EINER FACHKRAFT VORZUNEHMEN
 LA INSTALACIÓN SOLO DEBE SER REALIZADA POR PERSONAL CUALIFICADO

NON SMALTIRE COME RIFIUTO URBANO - NOT TO BE DISPOSED OF AS COMMON WASTE - NE PAS ELIMINER COMME DECHET URBAIN
 NICHT ÜBER DIE NORMALE SAMMLUNG VON HAUSMÜLL ENTSORGEN - NO ELIMINAR COMO DESECHO URBANO

Sirena SpA C.so Moncenisio, 5-10-12-14-16 10090 ROSTA (TO) | Italia
 Tel. +39 011 95 68 555 Fax +39 011 95 67 928 www.sirena.it E-mail: info@sirena.it

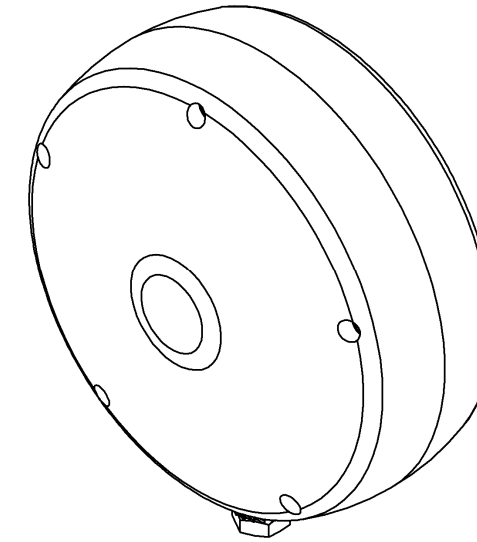
05/2017

SIRENA

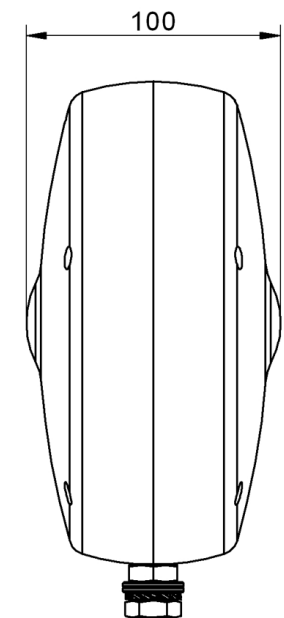
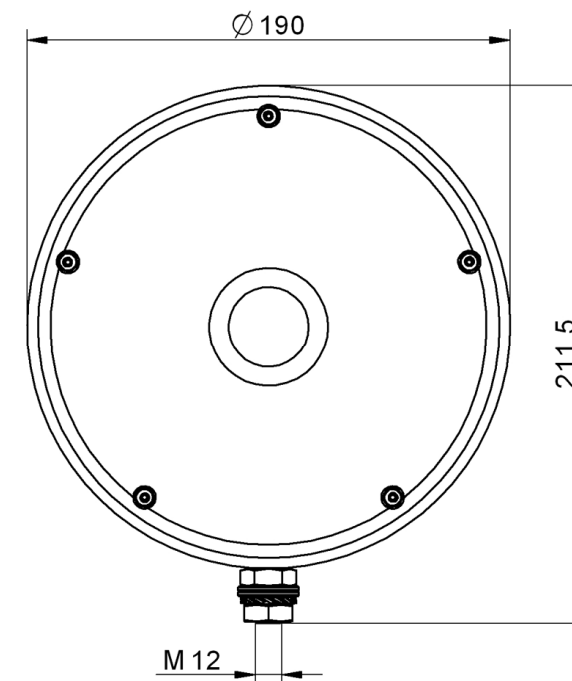
FAROLAMP FA

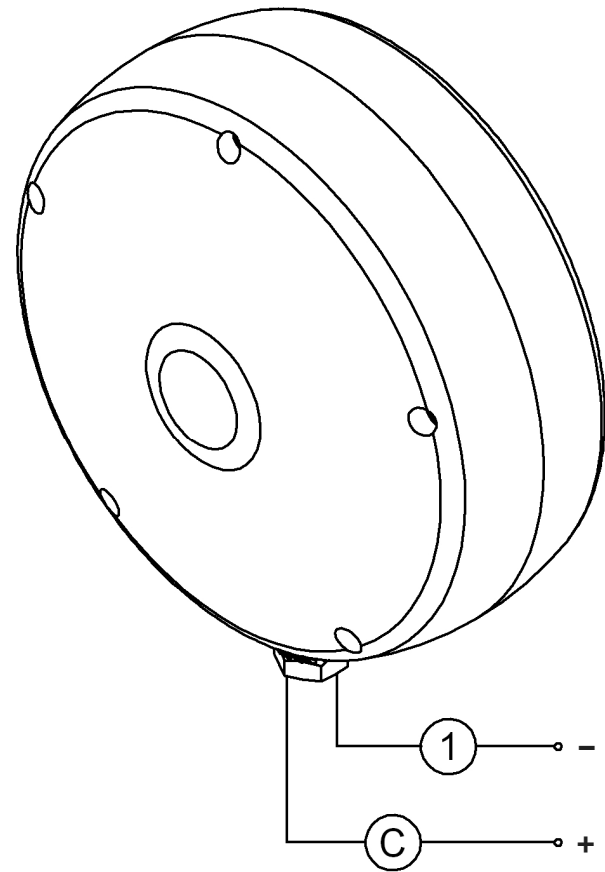
IP 54  ¹⁴

- ISTRUZIONI DI INSTALLAZIONE E UTILIZZO - INSTALLATION AND APPLICATION INSTRUCTIONS -
 - INSTRUCTIONS D'INSTALLATION ET D'UTILISATION - INSTALLATIONS- UND BEDIENUNGSANLEITUNG -
 - INSTRUCCIONES DE INSTALACIÓN Y EMPLEO -



V ---	24
mA	300
° C	"-30 +70"

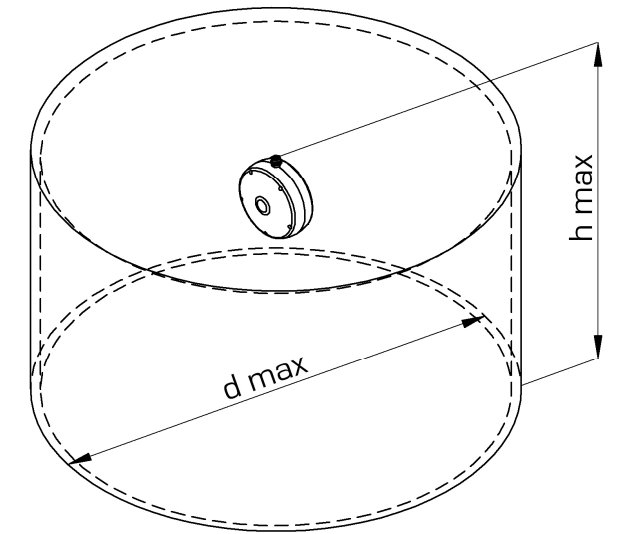
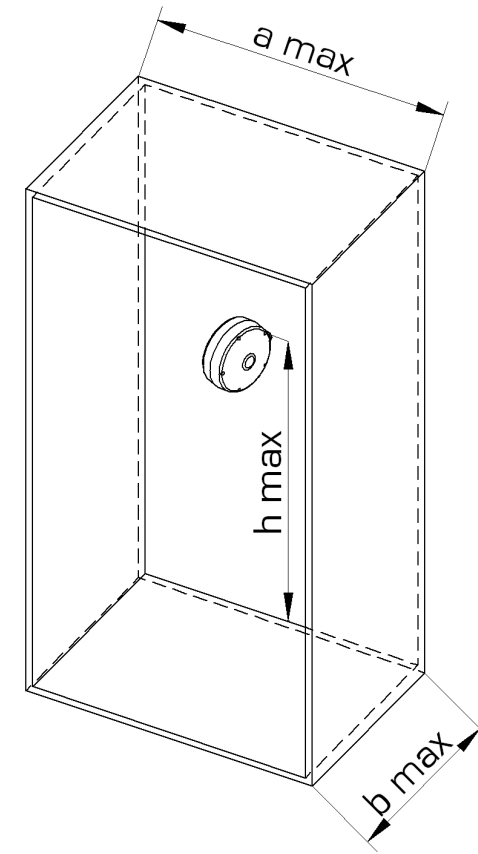




C ROSSO
RED
ROUGE
ROT
ROJO

1 NERO
BLACK
NOIR
SCHWARZ
NEGRO

C ÷ 1: Luce Flash
Flashing light
Lumière à éclats
Blinklicht
Luz de destellos



Categorie di installazione Mounting Category	h_{max} (m)	a_{max} (m)	b_{max} (m)	d_{max} (m)
W (white) Fissaggio a parete / Wall Mount	2,7	2,5	2,5	—
C (white) Fissaggio a soffitto / Ceiling Mount	3	—	—	4,8
O (white) Posizione di montaggio a scelta Freely selectable mounting position	2,7	6,3	2,2	—
O (red) Posizione di montaggio a scelta Freely selectable mounting position	1,5	3,6	1,2	—

h_{max}: altezza massima di installazione / max. mounting height

a_{max}: larghezza massima camera / max. room width

b_{max}: profondità massima camera / max. room depth

d_{max}: diametro massimo di copertura / max. diameter